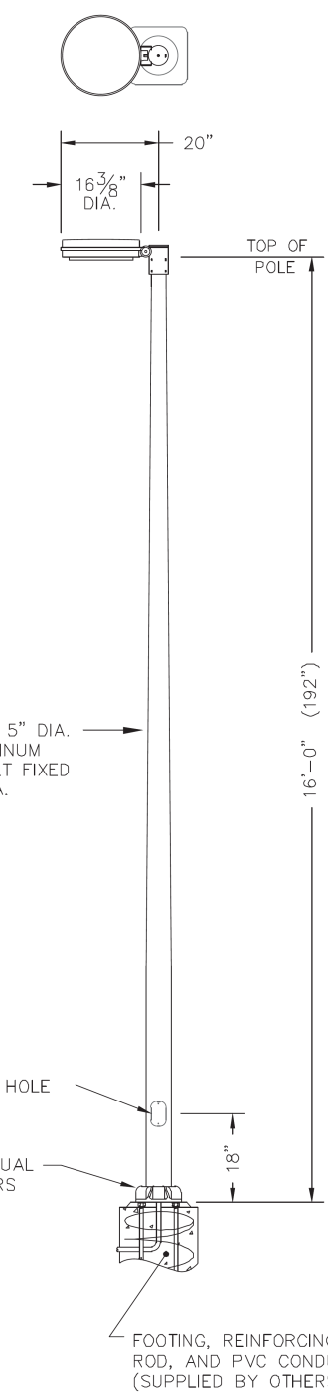
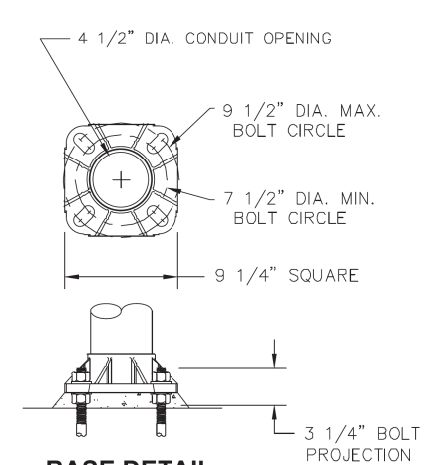
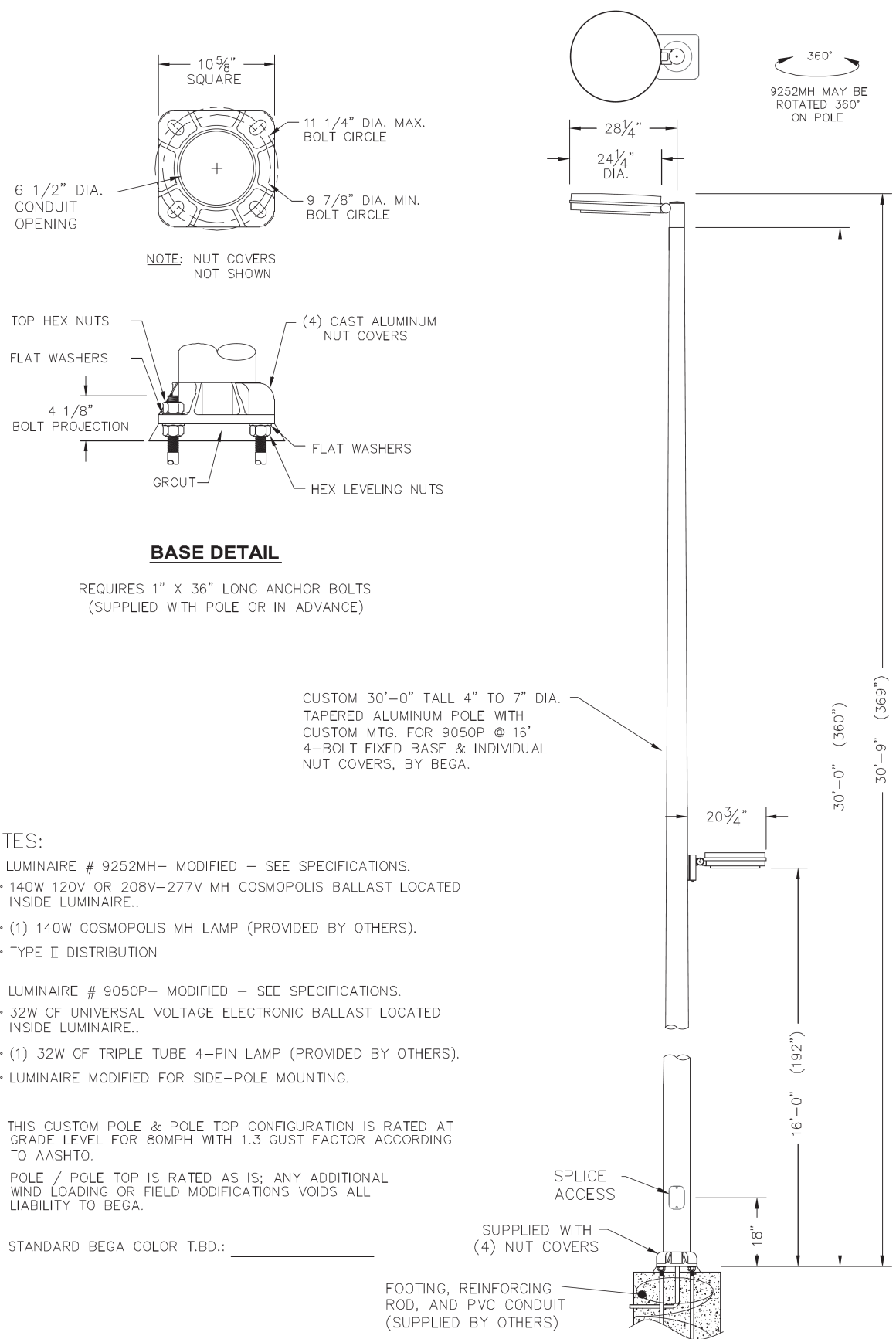


REVISIONS		
NO.	DESCRIPTION	DATE



BASE DETAIL

REQUIRES 1" X 36" LONG ANCHOR BOLTS
(SUPPLIED WITH POLE OR IN ADVANCE)

BASE DETAIL

NOTE: NUT COVERS NOT SHOWN
STANDARD (4) 3/4" x 17" ANCHOR BOLTS & MTG. TEMPLATE SUPPLIED WITH POLE OR IN ADVANCE.

NOTES:

- LUMINAIRE # 9252MH- MODIFIED - SEE SPECIFICATIONS.
 - 140W 120V OR 208V-277V MH COSMOPOLIS BALLAST LOCATED INSIDE LUMINAIRE..
 - (1) 140W COSMOPOLIS MH LAMP (PROVIDED BY OTHERS).
 - TYPE II DISTRIBUTION
- LUMINAIRE # 9050P- MODIFIED - SEE SPECIFICATIONS.
 - 32W CF UNIVERSAL VOLTAGE ELECTRONIC BALLAST LOCATED INSIDE LUMINAIRE..
 - (1) 32W CF TRIPLE TUBE 4-PIN LAMP (PROVIDED BY OTHERS).
 - LUMINAIRE MODIFIED FOR SIDE-POLE MOUNTING.
- THIS CUSTOM POLE & POLE TOP CONFIGURATION IS RATED AT GRADE LEVEL FOR 80MPH WITH 1.3 GUST FACTOR ACCORDING TO AASHTO.
 - POLE / POLE TOP IS RATED AS IS; ANY ADDITIONAL WIND LOADING OR FIELD MODIFICATIONS VOIDS ALL LIABILITY TO BEGA.
- STANDARD BEGA COLOR T.B.D.: _____

NOTES :

- LUMINAIRE #9050P POLE TOP - SEE SPECIFICATIONS:
 - 32W CF 120V-277V UNIVERSAL ELECTRONIC FLUORESCENT BALLST LOCATED INSIDE LUMINAIRE.
 - (1) 32W CF TRIPLE TUBE 4-PIN LAMP (PROVIDED BY OTHERS)
- THIS POLE & POLE TOP CONFIGURATION IS RATED AT GRADE LEVEL FOR 80MPH WITH 1.3 GUST FACTOR ACCORDING TO AASHTO.
 - POLE / POLE TOP IS RATED AS IS; ANY ADDITIONAL WIND LOADING OR FIELD MODIFICATIONS VOIDS ALL LIABILITY TO BEGA.
- STANDARD BEGA COLOR T.B.D.: _____

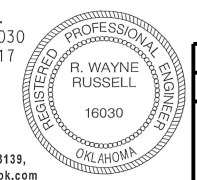
FOOTING, REINFORCING ROD, AND PVC CONDUIT (SUPPLIED BY OTHERS)

NOTES:
1. SEE SPECIAL PROVISIONS FOR MATERIALS / FINISH / MOUNTING
2. FINAL SHOP DRAWINGS TO BE PROVIDED BY OKLAHOMA CITY AND OG&E

R. Wayne Russell
R. WAYNE RUSSELL, P.E. # 16030
C.A. # 1160, RENEWAL 06-30-17

11-13-15
DATE

Traffic Engineering Consultants, Inc.
6000 S. Western, Suite 300 - Oklahoma City, OK 73139,
Ph: 405-720-7721, Fax: 405-720-9848, Web: www.tecok.com



Design	RWR	11-13-15
Drawn	SB	11-13-15



LIGHT POLE DETAIL

State Job No. 17428(89) Sheet No. T20

11-13-15 G:\0\Projects\1-24\7B Downtown Blvd WP 5JC Task 6\CAD\LIGHT POLE DETAIL.dgn